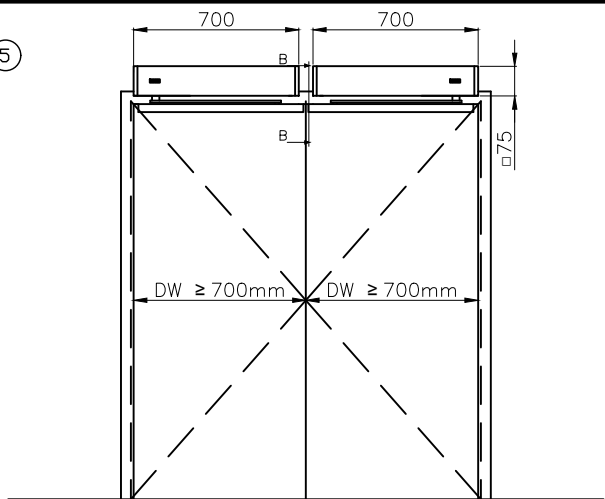
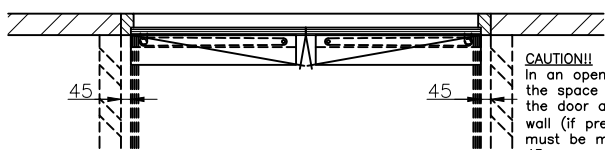


5



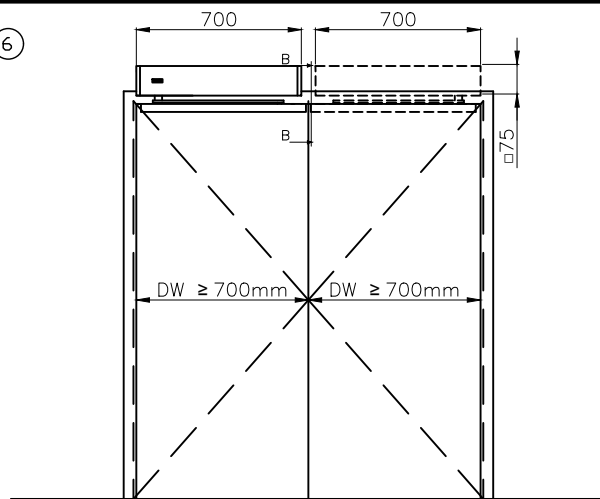
DW = Door width



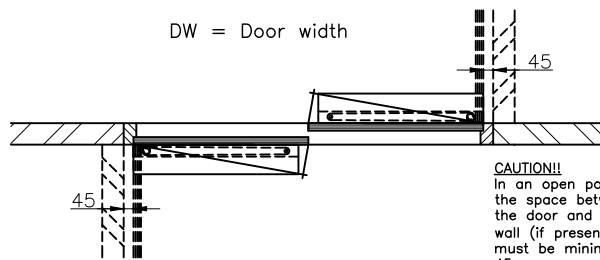
CAUTION!!
In an open position the space between the door and the wall (if present) must be minimal 45mm.

Double pulling
(KONE USC-D-Pull)

6



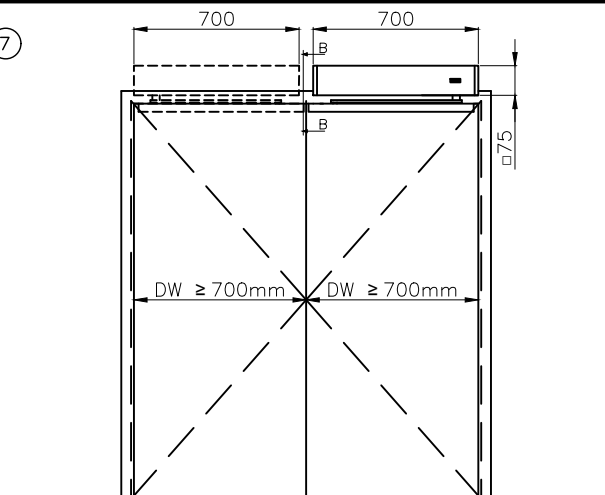
DW = Door width



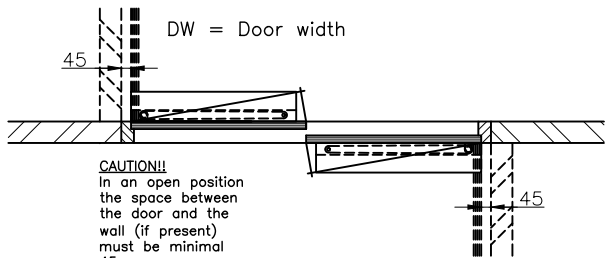
CAUTION!!
In an open position the space between the door and the wall (if present) must be minimal 45mm.

Double pulling
(KONE USC-D-Pull)

7



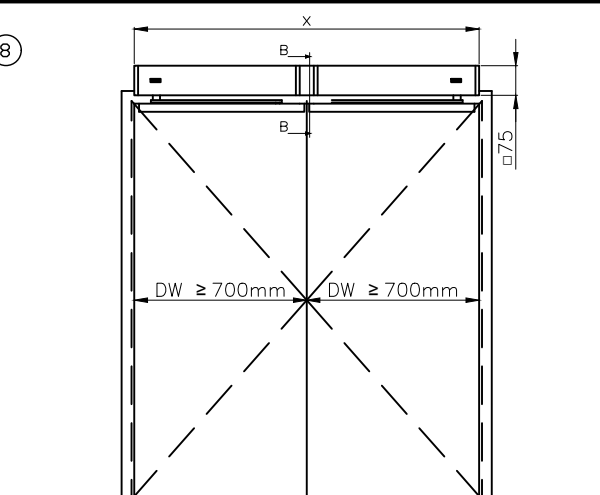
DW = Door width



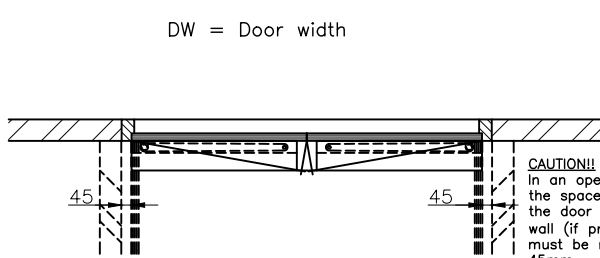
CAUTION!!
In an open position the space between the door and the wall (if present) must be minimal 45mm.

Double pulling
(KONE USC-D-Pull)

8



DW = Door width



CAUTION!!
In an open position the space between the door and the wall (if present) must be minimal 45mm.

Double pulling
(KONE USC-D-Pull)

Name: OVERVIEW_KONE_USC_D_PULL

Ordernumber: --

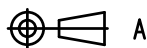
Page: 01

Projectie ISO-128

Copy by;

Date: 15-DEC-11

Scale: --



REVISIONNUMBER:;

Drawn: --

Format: A4

A: --

B: --

C: --



Doorsystems

Accustraat 21
Postbus 94
3900 AB Veenendaal
tel. : 0318 - 532333
fax : 0318 - 532339