

KONE KT30

Brief description Basic equipment

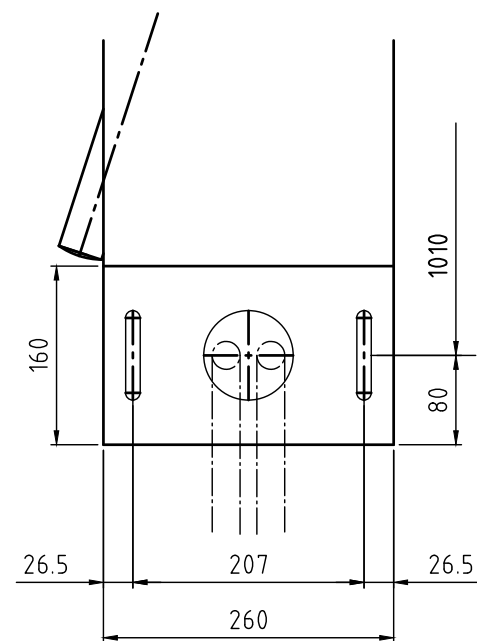
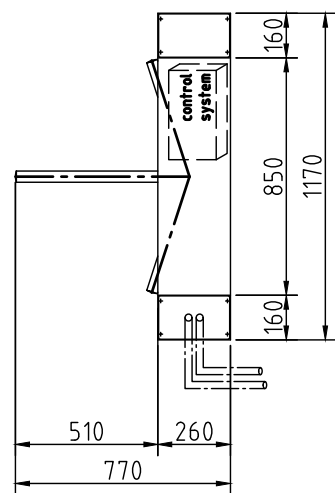
- housing and base columns made of stainless steel satin finish AISI 304
- stiff crossbars made of stainless steel AISI 304, as well types 0 / 1.1 / 1.2
- stainless steel satin finish
- Control system integrated in the unit.
- Power supply 110-230V AC 50/60Hz.
- Mounted on finish floor level (FFL).
- Suitable for outdoor installation!
- Housing IP 33, components conducting supply voltage IP 43.

Function

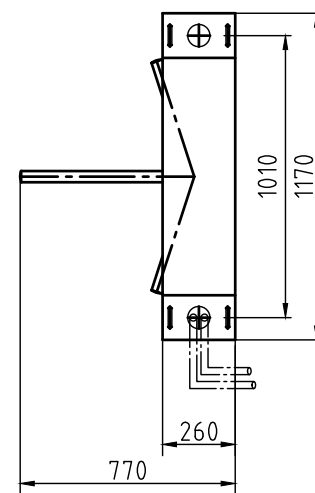
- Typ 2 power assisted motion; servo-positioning drive / 2 directions electrically controlled
- In case of power failure both directions free.

variant A variant B

inside



inside



outside

signed variant B

outside

conduits

- the conduit of this drawing are reserved for the supply of the turnstile only
- the conduit for the readers etc. must be additionally laid according to the maker's specifications

implementing regulations DIN EN 206-1/DIN 1045-2

-quality of the concrete C30/37

All cable runs must be prepared by others !
All lines are to be flexibly!

The following cables are *not included* in delivery:
W0: Main supply 110-230V / 50Hz/60Hz / max.75VA / min. 3x1,5mm²
W3: Control desk line 2x2x0,34mm² flexible. Trip line shielded and stranded in pairs.
W4: Drive to the card-reader-system according to the system-supplier.

Title: KONE Turnstile 30		Drawing number:	
Order number:	Page no.: 1	Projectie ISO-128	Revision number:
Date: 23-03-2017	Scale:	⊕ A	A:
Drawn by:	Paper size:		B:
		Accustraart 21 Postbus 94 3903 LX Veenendaal Tel.: 0318 - 532333 Fax: 0318 - 532339	
		Copyright by KONE	